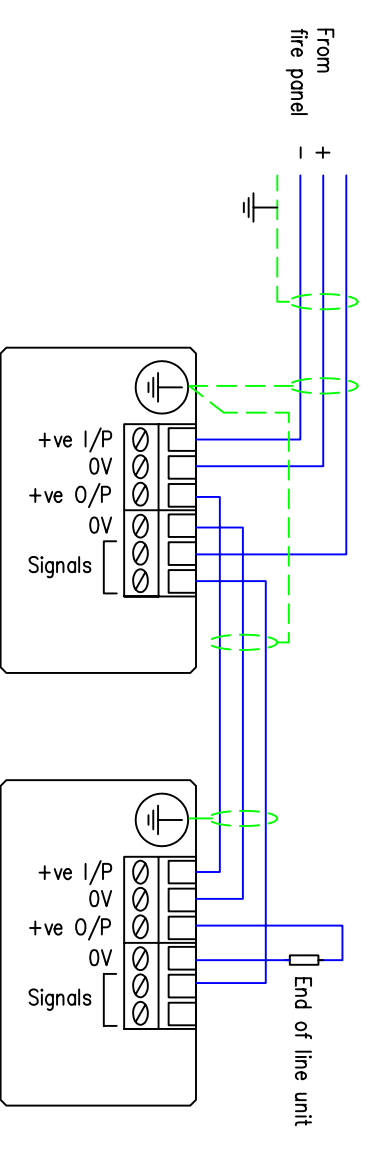


Specification	
Operating voltage	Range 10.8V to 28.8V
Rated voltage	19V DC
Maximum reverse voltage (used for monitoring sounders)	30V<1μA
IP rating	IP65C
Enclosure material	Flame retardant ABS (strobe cover is polycarbonate)
Enclosure colour	Red Body (with red translucent lens)
Weight	approx. 300g
Part no.	251492
Operating temperature	-10°C to +50°C
Storage temperature	-20°C to +70°C
Relative humidity (non condensing)	up to 90%



Ant./Qty.		Forrandring/Alteration		Date/Sign.	
2005-08-19		Konstr./Design		Kontroll/Controlled	
Aktiv/Archive		Tegnert/Draw		Godkjent/Approved	
ifs		Term		1:2	
General Production Drawing				Date/Sign.	
Optical LED alarm – IP65				Copyright © Ettek Fire & Safety. All Rights Reserved	
Henvisning/Reference				Erst. for/Replace for	
Order nr./Order no.				Erst. av/Replaced by	
				Fire & Safety Copyright © Ettek Fire & Safety. All Rights Reserved Erst. for/Replace for Erst. av/Replaced by	
				T39955-N3 Konsulent/Consultant	