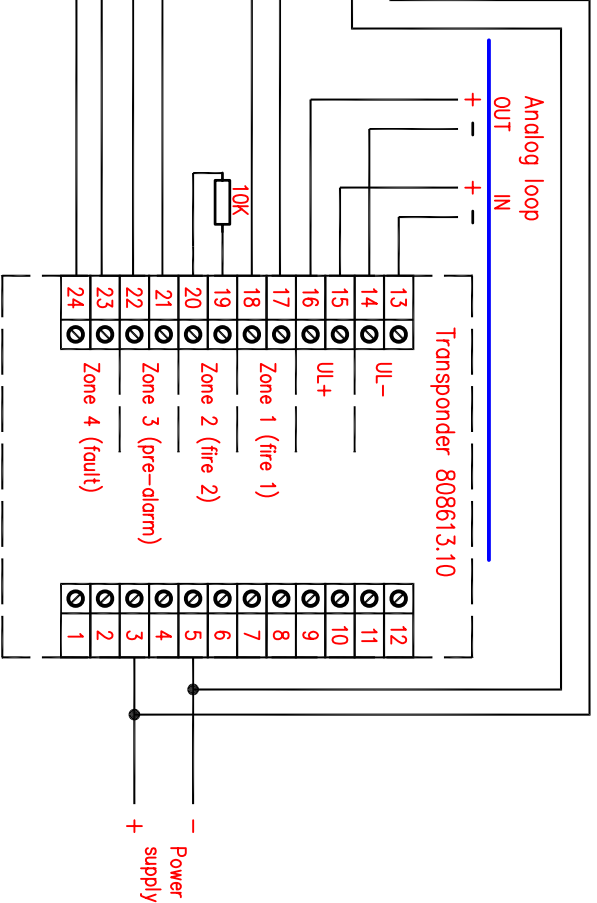
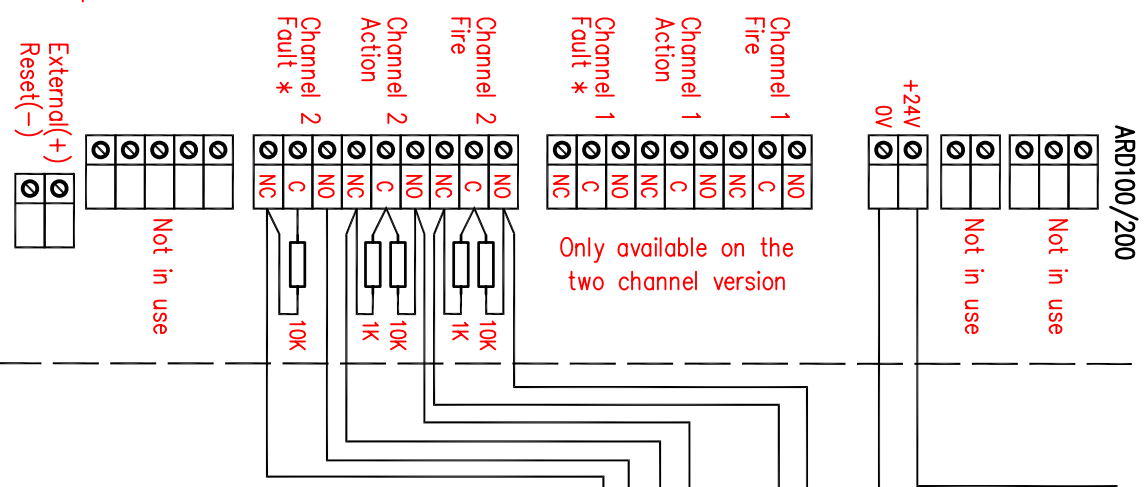
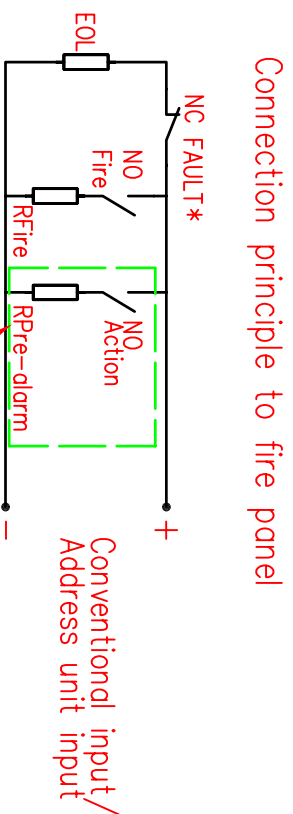


## Specification

Supply Voltage	24VDC(nominal) 18–30VDC(12W minimum)
Supply Current	120mA – 500mA depending on fan speed setting and supply voltage. Max. Current 350mA@24VDC with no aspirating pipe. Maximum voltage drop 3V on supply cable.
Maximum Pipe Length	100 metres(1 chan) 2x100(2 chan)
Relay outputs	FIRE, ACTION, FAULT (each channel)
Relay contact rating	30VDC/1A
Housing material	ABS
IP rating	IP50 (IP65 with exhaust pipe)
Operating temperature	–10°C to 55°C
Operating humidity	10 to 93% RH (non-condensing)
Fuse Type/Rating	“T” European sub-miniature (TR5) 1.25 A Anti-surge
Approval	EN54–20, Aspirating detectors
Part no.	ARD–100=251530.100 – ARD–200=251530.200



Termination to transponder 808613.10 (as an example)



Connection principle to fire panel

\* Notes: Marking of connectors are shown when detector is not supplied with power. Fault relay will energize in normal operation.

Not available on all types of conventional inputs/address units.

EOL, RFire and RPre-alarm: See conventional input/address unit data



by Honeywell

Copyright © Eitek Fire & Safety. All Rights Reserved

T43865–N3

Sym.	Ant./Qty.	Forandring/Alteration	Konstr./Design	Kontroll/Controlled	Målestokk/Scale	Date/Sign.
Date/Date		2009–07–08				
Arkiv/Archive		Tegnet/Draw		Godkjent/Approved		
ifs		tem				
General Product Drawing						
ARD–100/ARD–200 Laser aspirated smoke detector						
Henvisning/Reference		Ordre nr./Order no.		Erst. for/Replace for		Erst. av/Replaced by